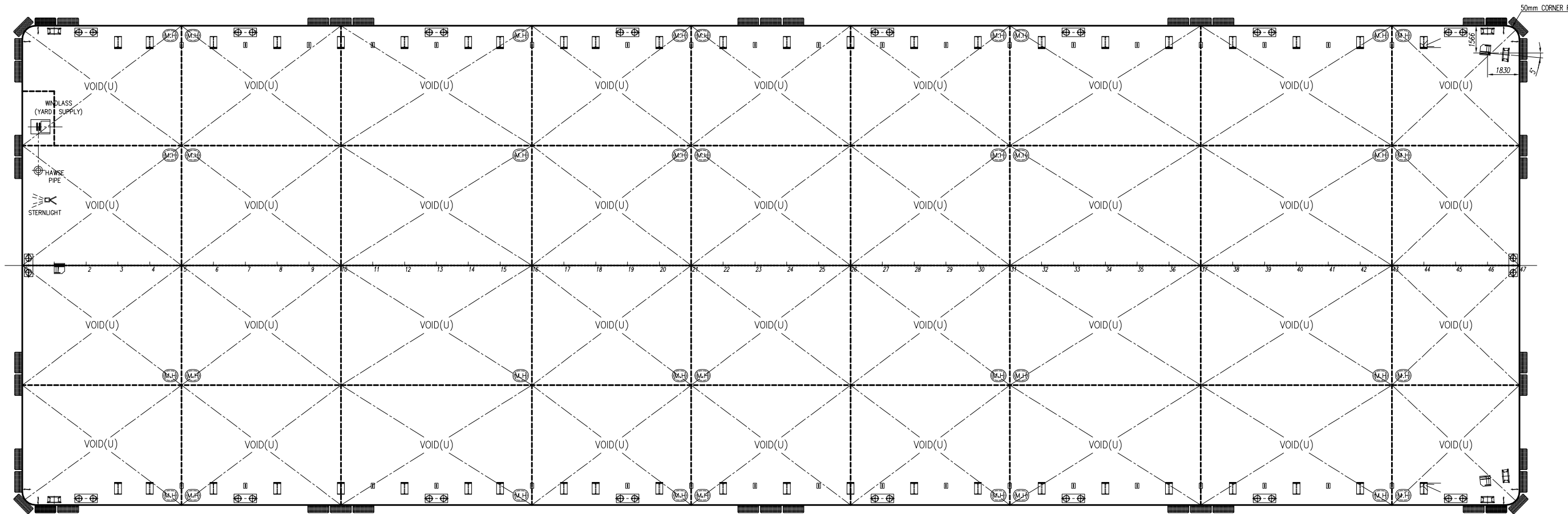
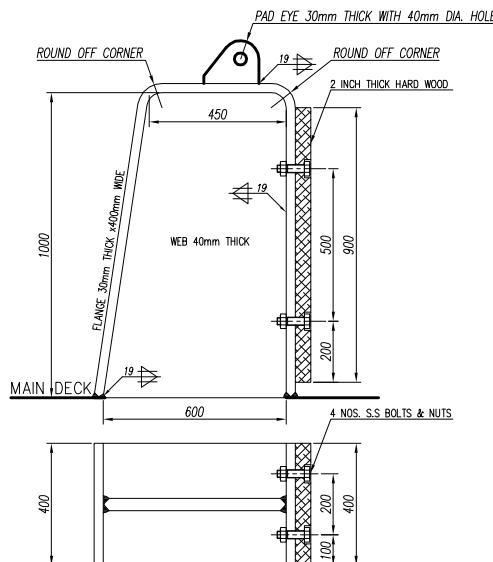


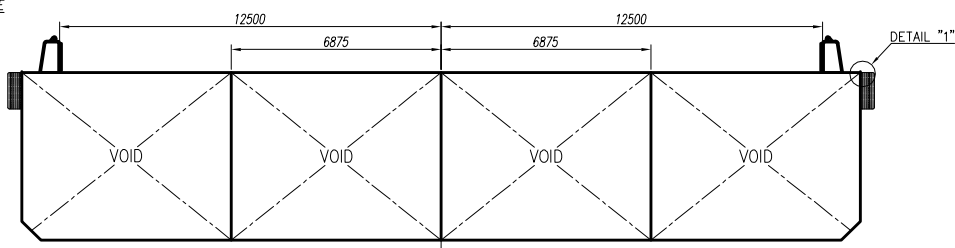
OUTBOARD PROFILE



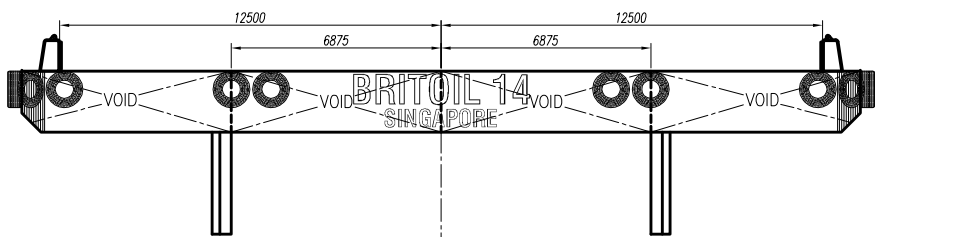
MAIN DECK



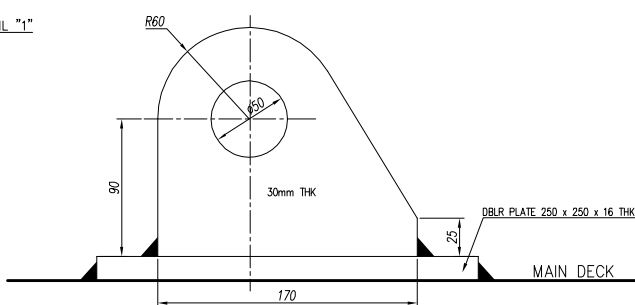
STANCHION DETAIL
* NOT PART OF ABS REVIEW



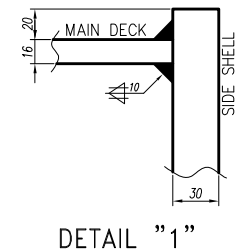
MIDSHIP SECTION



AFT SECTION



EYE PLATE DETAIL
* NOT PART OF ABS REVIEW



DETAIL "1"

PRINCIPAL PARTICULARS

- LENGTH OA(MLD) ——— 86.01m
- BEAM(MLD) ——— 27.5m
- DEPTH(MLD) ——— 5.5m
- DECK LOAD ——— 10t/m²

NB:
1. UNDERDECK SCANTLINGS TO MEET TANK BARGE REQUIREMENTS.



S/NO	DESCRIPTION	QTY	REMARK
1	AEROPLANE TYRE; SIZE - 49" X 19"	46	YARD'S SUPPLY
2	3/4" GALVANISED SHACKLE	184	YARD'S SUPPLY
3	3/4" GALVANISED CHAIN		
4	EYEPAD FOR TYRE	92	YARD'S SUPPLY

DATE	MODIFICATION	REV	BY		
SHIP: 86.0m x 27.5m x 5.5m DECK CARGO BARGE					
TITLE: GENERAL ARRANGEMENT					
BUILDER: P.T. BRITOL, INDONESIA					
YARD NO. H200417 & H200418					
CLASS: ABS					
CONAN WU & ASSOCIATES NAVAL ARCHITECTS INFORMATICS BLDG., 5 INTERNATIONAL BUSINESS PARK, JURONG EAST, SINGAPORE 609914 TEL: (65) 6562-1138 FAX: (65) 6562-1238, (65) 6562-0123 E-MAIL: mail@cw.com.sg					
DRAWN	CHECKED	APPROVED	SCALE	DRAWING NO.	REV
ZHAN	CHIA	MOK	1:125	C2405C/G-1	0
19-09-05	19-09-05	19-09-05			

THIS DRAWING AND THE INFORMATION CONTAINED HEREIN ARE SUPPLIED ON THE UNDERSTANDING THAT THEY ARE THE EXCLUSIVE PROPERTY OF CONAN WU & ASSOCIATES. THEY MUST NOT BE USED OR REPRODUCED IN WHOLE OR IN PART WITHOUT PERMISSION IN WRITING.